



TM vegetable cutters

- Aluminium alloy and S/S construction.
- Ventilated motor for continuous operation.
- Thanks to its compact design the machine is easy to install inside every kitchen.
- The exclusive feeding system makes easy to process also soft products like mozzarella cheese.
- Safe operation is ensured by interlock switches on product pusher, lid and collecting tray.
- Bath collect-interlock provided.
- Version with dishwashing safe S/S lid available.

Optional

- Large number of discs available for every purpose.



TM INOX



TM ALL



Slices discs DF



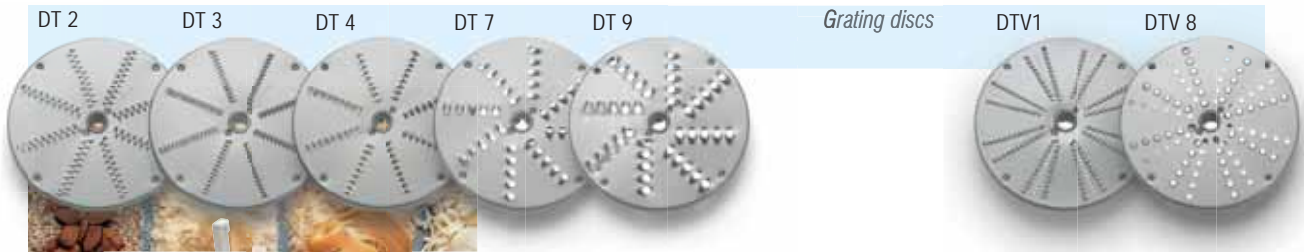
Discs DQ sticks



Dicing discs



Discs for shredding DT



Feed hopper lid with side opening



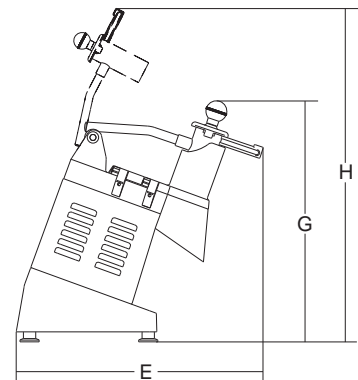
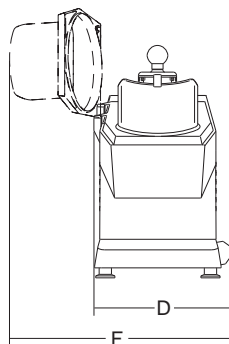
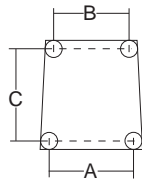
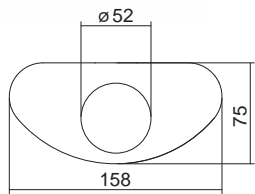
Chute for continuous product ejection, with safety microswitch, optional



Optional discs holder



Optional cleaner for PS discs



				A	B	C	D	E	F	G	H			
	watt/HP	r.p.m.	r.p.m.	mm	mm	mm	mm	mm	mm	mm	mm	kg	mm	kg
TM Inox	515/0.7	1ph/3ph	300	225	195	255	280	510	400	510	770	18.5	720x350x500	22
TM All	515/0.7	1ph/3ph	300	225	195	255	280	510	400	510	770	18.5	720x350x500	22