



TC 22-32 COLORADO

tritacarne meat grinders



YouTube



YouTube



YouTube

- AISI 304 stainless steel construction.
- Powerful IP 55 insulated and fan-cooled motors for continuous use.
- Endless screw motor-reducer running in an oil-bath enables a long service life.
- Motor-reducer equipped with a double seal for long, trouble-free service.
- Head can be locked in with no tools.
- Stainless steel head with high output capacity, completely removable for cleaning.
- Feed tray provided with safety interlock (no. TC 32 CE versions).
- IP 54 protected, 24 V controls.

Optionals:

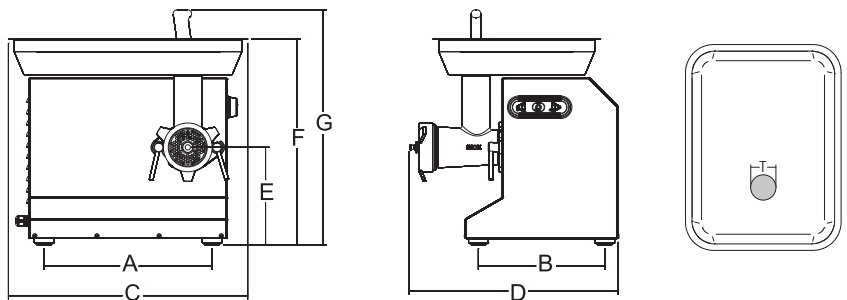
- Partial or total Unger system mincing head.
- Stainless steel IP 67 protected controls.



TC 32 COLORADO



Optional stuffer kit for TC 22-32



					A	B	C	D	E	F	G	T			
	watt/HP	kg/h.		ø mm	mm	mm	mm	mm	mm	mm	mm	mm	kg	mm	kg
TC 22 Colorado	1ph 1100/1,5 3ph 1.472/2	1ph/3ph	300	4,5	351	264	500	440	144	445	526	50	32	600x500x500	35
TC 32 Colorado	1ph 1840/2,5 3ph 2.200/3	1ph/3ph	400	6	401	264	610	465	110	445	543	77	39	720x570x770	41



TC 22 COLORADO



TC 22 COLORADO hamburgertrice



Format M opzionale
Optional Format M