

PALLADIO



PALLADIO 300

PALLADIO

- Plastic knobs
- Rubber feet

PALLADIO TOP

- Knobs aluminum
- Aluminium telescopic feet with rubber base
- Maintenance tool kit

PALLADIO INGRANAGGI

- Enclosed and sealed worm gear reduction unit
- Oil bath lubrication
- Automatic model unavailable

- Rounded design and no sharp edges and visible screws
- Chrome plated ground and lapped slide rod
- Self lubricating slide rod bushings
- Vulcanized rubber stops on carriage
- Removable support cover for thickness gauge plate
- Stainless steel slice deflector with bayonet fitting
- Stainless steel screws and fittings
- Enclosed and sealed belt pulley
- 49,5 mm distance between blade and motor
- Bottom cover
- Stainless steel pushbuttons with IP67 protection rating
- Built in sharpening tool with bottom protection
- Standard Blade Removal Tool (BRT)
- 35° blade inclination

PALLADIO AUT

- Ergonomic controls - push buttons with IP67 protection rating
- 3 speed selection
- 3 different adjustments for carriage travel
- Slice counter
- Slice number setting with automatic stop feature
- Standard Uniko hopper
- Enclosed and sealed drive motor
- Positive drive belt
- Carriage release system for manual slicing
- Output slices per minute: 37 - 70

Options:

- Lifting lever
- Carriage "Nettuno" available with a special end weight and an adjustable vertical product fence to provide stability and advance products evenly
- Poseidon fish cutting for Uniko hopper



More space between blade and body machine



Large tray



Palladio AUT controls



Lifting lever, optional



Palladio Ingranaggi
Oil bath gear box



Palladio AUT with optional Nettuno hopper



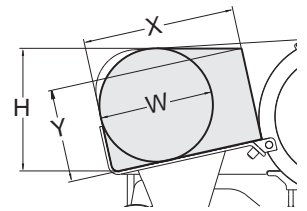
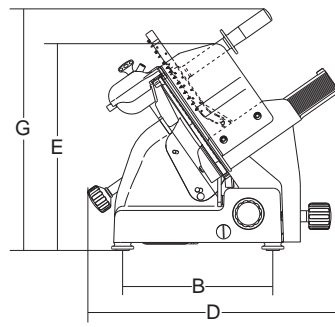
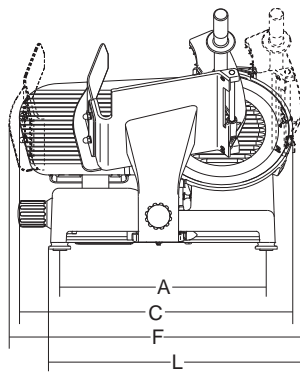
Blade Removal Tool (BRT)



Small suitcase with maintenance kit standard on Top versions



Optional Poseidon fish cutting for Uniko hopper



	mm-inch	watt-Hp	mm	mm	mm	A	B	C	D	E	F	G	L	X	Y	H	W	kg	mm	kg
★ Palladio 300	300/12"	275/0,37	23	310	305x270	465	340	615	547	465	710	545	600	270	190	240	220	35	760x640x700	44
★ Palladio 300 Ingr	300/12"	400/0,54	23	310	305x270	465	340	615	547	465	710	545	600	270	190	240	220	36	760x640x700	45
★ Palladio 300 Aut	300/12"	275+200/ 0,37+0,27	23	310	305x270	465	340	622	620	513	647	528	558	270	190	240	220	38	870x840x750	53
★ Palladio 330	330/13"	275/0,37	23	310	305x270	465	340	645	570	455	710	535	586	270	210	260	240	36	760x640x700	45
★ Palladio 330 Ingr	330/13"	400/0,54	23	310	305x270	465	340	645	570	455	710	535	586	270	210	260	240	37	760x640x700	46
★ Palladio 330 Aut	330/13"	275+200/ 0,37+0,27	23	310	305x270	465	340	649	611	515	665	530	563	270	210	260	240	39	870x840x750	54
★ Palladio 350	350/14"	370/0,50	23	310	305x270	465	340	660	575	455	710	530	580	270	225	275	250	37	760x640x700	46
★ Palladio 350 Ingr	350/14"	400/0,54	23	310	305x270	465	340	660	575	455	710	530	580	270	225	275	250	38	760x640x700	47
★ Palladio 350 Aut	350/14"	370+200/ 0,50+0,27	23	310	305x270	465	340	659	610	515	675	530	573	270	225	275	250	40	870x840x750	55

★ TOP