



# IS 15-25-35-50 IDRA

## vertical hydraulic sausage stuffers



Industria 4.0

- Simple and functional, the hydraulic vertical sausage fillers feature a powerful hydraulic system that operates at a pressure of 120 bars.
- Manufactured entirely from stainless steel, the machine can be completely disassembled for easy cleaning without requiring tools. It features characteristics typical of higher category models:
  - fully stainless steel cover and piston;
  - silicone gaskets that act inside the cylinder for better seal and longer life of the gasket;
  - hermetic protection of the hydraulic cylinder;
  - stainless steel piston rod;
  - polished and rounded stainless steel cylinder, without obligatory direction;
  - powerful and silent ventilated motor operating at 2.800 rpm with immediate action;
  - automatic piston return when motor stops;
  - S/steel IP 67 protected controls;
  - high-precision oil flow controller;
  - standard rubber wheels;
  - oil tank with level gauge.

**Optional:**

- SRCS wifi control board



IS 25 IDRA



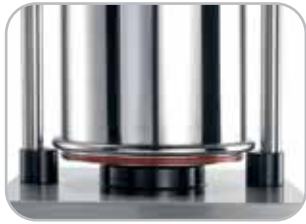
IS 15 IDRA



IS 35 IDRA



IS 50 IDRA



Hermetic hydraulic piston gasket



Piston pushing up



Automatic piston return



Controls

Optionals



Bush in stainless steel



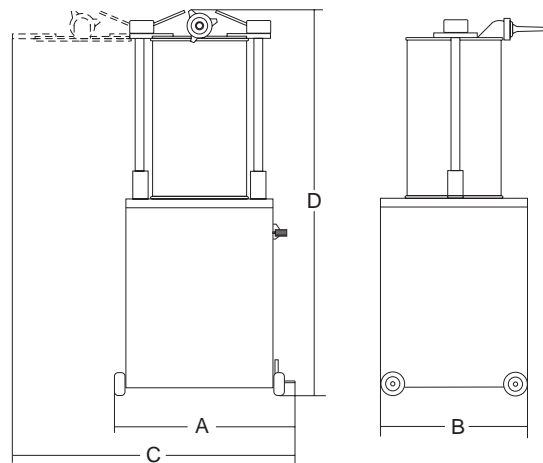
Funnels in stainless steel  
(ø 16-20-28-38)



Potato masher application



Easy to clean



	watt/HP	lt	mm	ø mm	mm	mm	mm	mm	mm	mm	mm	mm	mm	kg	mm	kg
<b>IS 15 Idra</b>	560/0.75	15	495	200	430	2"11"	35°	45°	10-18-25	490	370	700	1200	53	720x570x1380	63
<b>IS 25 Idra</b>	560/0.75	25	460	260	380	2"02"	40°	60°	10-18-25	565	450	950	1160	91	720x570x1380	103
<b>IS 35 Idra</b>	560/0.75	35	460	320	380	2"02"	45°	65°	10-18-25	640	480	1000	1160	101	760x640x1430	113
<b>IS 50 Idra</b>	560/0.75	55	520	380	440	6"	55°	75°	10-18-25	730	550	1130	1250	145	760x640x1430	160