



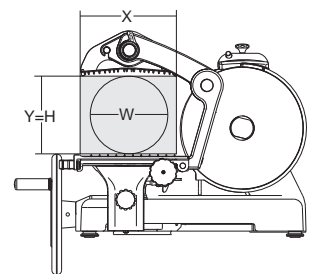
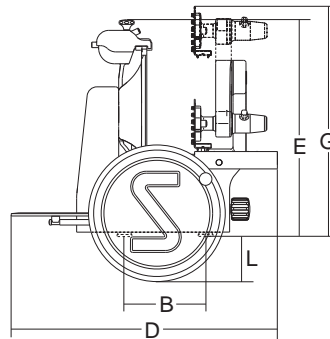
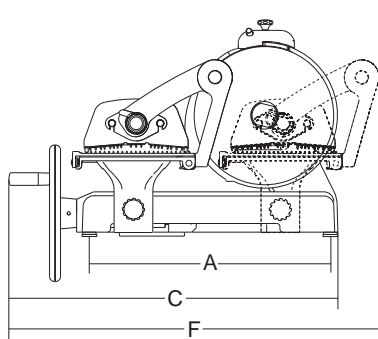
# ANNIVERSARIO LX 350



- A perfect mix of classical elegance with modern functionality
- Fusion of style and ergonomics, easy use and good taste, practical and exclusive
- A poem of lines, lights, colours and technics, pure, simple and durable technics
- Solid cast iron construction epossidic painted
- Carriage and other details made of anodized aluminium alloy
- BS2 self adjusting blocking arm
- Stainless steel removable remnant holder
- Carriage easy to remove



Optional colors



LX 350	350/14"	3	345	350x330	592	180	820	780	560	910	615	120	330	255	255	255	72	960x920x860	90



*BS2 self adjusting blocking arm*



*More space between blade and body machine*



*Removable blade protection machine*



*Standard glass surface*



*Optional stand with marble surface*



*White 2141 surface*



*Sand-Coloured V. 2300 surface*



*White marble surface Carrara*



*White Starlight surface*