

MISS BAKER® PRO XL

BENCHTOP 6KG DOUBLE ARM MIXER

MS0623059



MISS BAKER® PRO XL

Let yourself be conquered by Miss Baker® PRO XL

Miss Baker® PRO XL is the very first kneading machine with double arms which can be used to knead small quantities.

It perfectly kneads and oxygenates 1.5kg to 6kg of dough to a standard that praises the highest tradition.

Ideal for preparing large quantities of yeast in confectionaries, bread of high hydration, dough for pizza, focaccia, croissants, short pastry, flaky pastry, egg pasta, brioches, panettone as well as refreshments for sourdough.

It strings dough with high hydration to perfection, even until 100%

MAIN CHARACTERISTICS

- Five-speed inverter-controlled arm moving system (from 35 to 65 strokes per minute)
- Small-sized double-arm compact system
- Completely extractible kneading arms
- Double-channel emergency stop system ("Safety Torque Off")
- Touch-system control board
- High torque efficiency induction engine
- Bluetooth communication system to use proprietary application "MixDrive" on iOS and Android smartphones
- Completely extractable arms to ensure emptying and cleaning operations are easier.

DIMENSIONS

Kneading machine dimensions LxWxH (mm)	380 x 540 x 530
Dimensions with packaging LxWxH (mm)	400 X 600 X 700

OPTIONS (Colors/Finishes)

Red / Stainless Steel	MS0623059R
Complete Stainless Steel	MS0623059I

TRY IT
AND FALL IN LOVE 



SPECIFICATIONS

Flour capacity	1kg - 3kg
Kneading capacity	1.5kg - 6 kg
Bowl capacity	20 litres
Dimensions of bowl	Ø 36 - h 20
Voltage	230 V single-phase, supplied with a 10 amp plug
Power	500 W
Speed of the arms	5 speed from 35 to 65 strokes/min
Extractable arms	Yes
Extractable bowl	No
Net weight/packing	33kg/45kg
Color	White/Stainless Steel
Warranty	2 years parts and labour

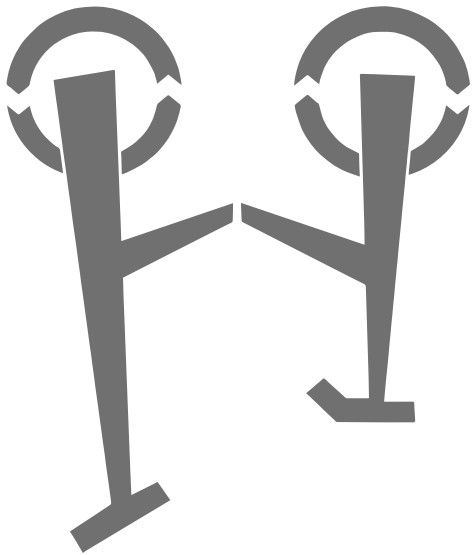


Phone: 1800 183 818 Email: support@thegoodlady.com.au
Website: www.thegoodlady.com.au

MISS BAKER® PRO XL

BENCHTOP 6KG DOUBLE ARM MIXER

MS0623059



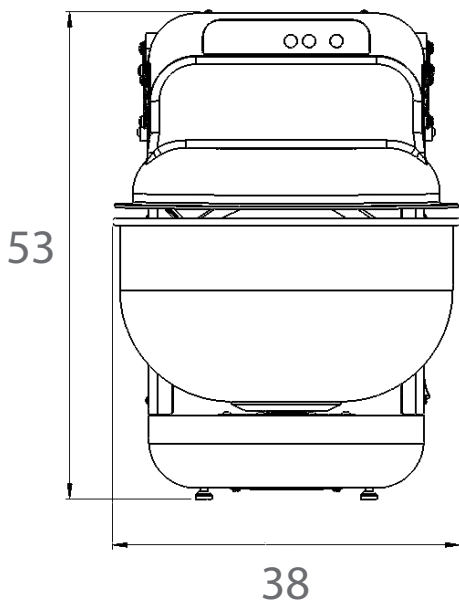
Bernardi patent

- The exclusive compact kneading arm system is a patent of Bernardi.
- This compact system can even make the most difficult recipes such as large leavened kneading and high-hydration dough.

DOUGH	MISS BAKER PRO XL
BREAD	●●●
PIZZA	●●●
EGG PASTA	●●●
PIZZA NAPOLETANA	●●●
FROLLA PASTA	●●●
BRIOCHEs/VIENNOISERIES	●●●
SHORT PASTA	●●●
CROISSANTS	●●●
PANETTONE	●●●
HIGH HYDRATION DOUGH	●●●

- The maximum kneading capacity refers to a flour/liquid ratio of 1:0.6 and may vary according to the recipe
- The minimum kneading capacity is approximately the 20% of the maximum capacity
- For tough dough - less than 55% hydration - like egg pasta and mother yeast, reduce the maximum capacity of flour by 50%

FRONT



SIDE

