



## Main Features

- Professional grinder for busy work loads
- High capacity and non-stop operation
- Removable and cleanable parts
- Inverter drive protecting motor against misuses and enabling variable speed
- Speed dial to control the speed of the machine from 1200 to 8000 rpm

### UP TO 8000 RPM

Conventional cutters can only reach 3000 rpm knife revolution speed. At that rate you cannot make powder sugar or process nuts without spoiling them.

## DIMENSIONS

External Width	825
External Height	1190
External Depth	550

## AVAILABLE ACCESSORIES

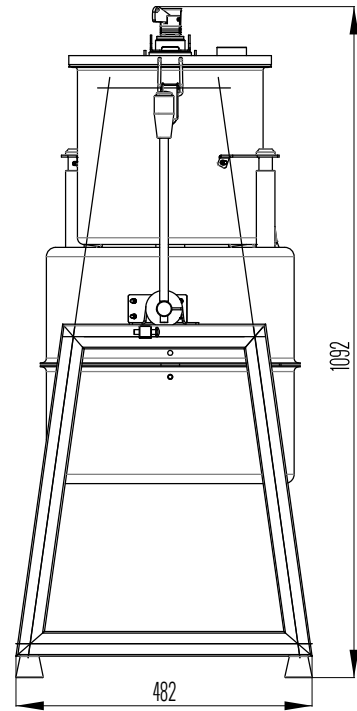
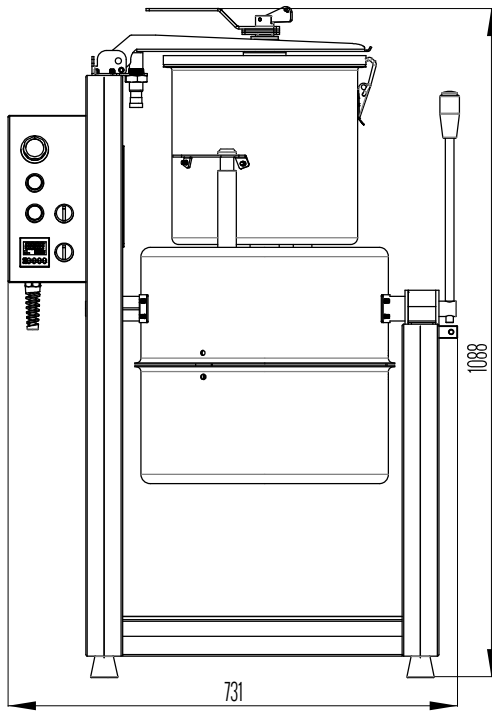
- Curved serrated knife
- Curved flat knife
- Straight serrated knife

## SPECIFICATIONS

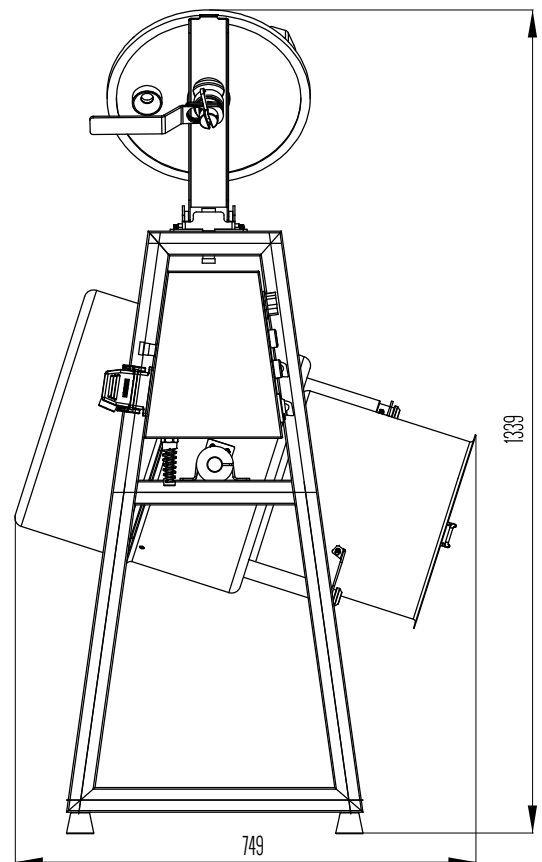
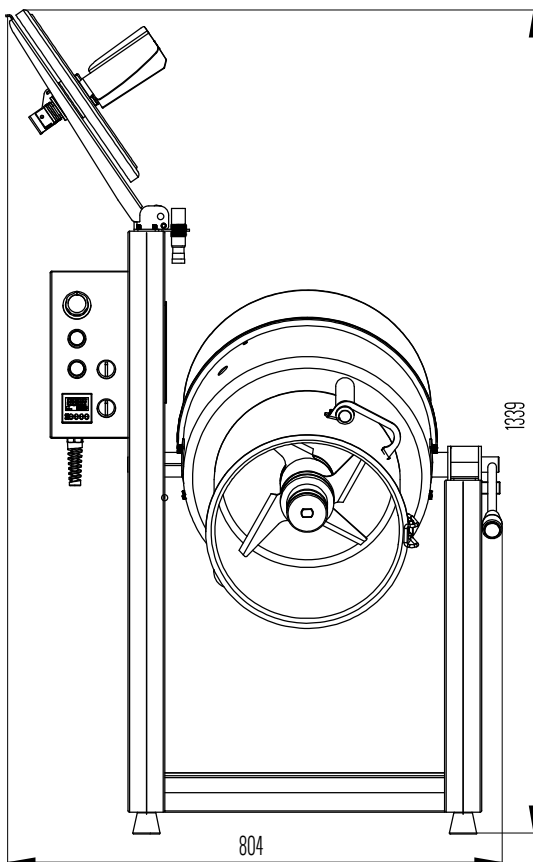
Voltage	380 volts, 50/60 Hz EN
Power	11000 Watts
Plug Supplied	No, lead only
Capacity	65 litres
Speed	600-3000 rpm
Capacity/Batch	22 kg (product)
Capacity/Hour	330 kg (product)
Weight	145 kg
Warranty	2 years Parts 1 year Labour

(Asset must be registered to activate full warranty)

# VERTICAL



# HORIZONTAL



We reserve the right to alter specifications without notice.

