

Main Features

- The control panel is positioned at the front of the machine and is provided with controls designed for ease of use
- The shafts rotate on ball bearings suitable for use under high-stress conditions
- The bowl protection guard complies with safety regulations. When lifted up, it activates a microswitch that automatically stops the machine.
- The unit rests on four rubber vibration mounts that guarantee stability and the reduction of noise levels.

Standard accessories include :

- - Thin Wire Whisk
- - Flat Beater
- - Kneading Hook



SPECIFICATIONS

Voltage	400Vac 3 50Hz
Power	3.9 kw
Speed	Speeds - 3 speeds - 1° 36 RPM (1.2kw) 2° 73 (2.5kw), 3° 146 (3.1kw)
Maximum Current	8.2A
Weight	380 kg
Plug Supplied	No
Bowl Lift	Manual
Bowl Capacity	80 liters
Bowl Diameter	480mm x 490mm
Humidity	Max 95%
Noise level	<70 decibel
Ambient Temp	Max 40°C
Warranty	4 Year Warranty (2 yr Labour 4 yr Parts)

OPTIONAL CONTROL -
Variable Speed Inverter - Single Phase Operation

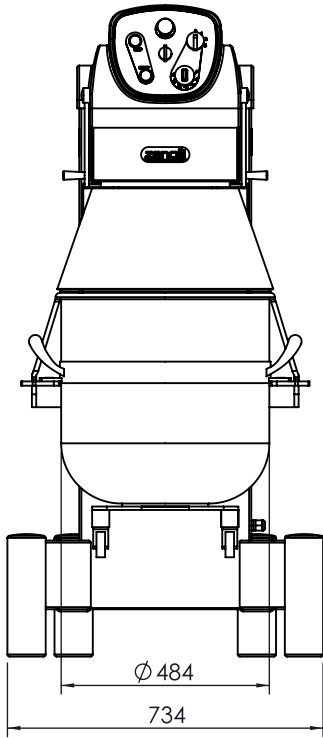
STANDARD CONTROL -
3 speeds with 3 phase Motor.



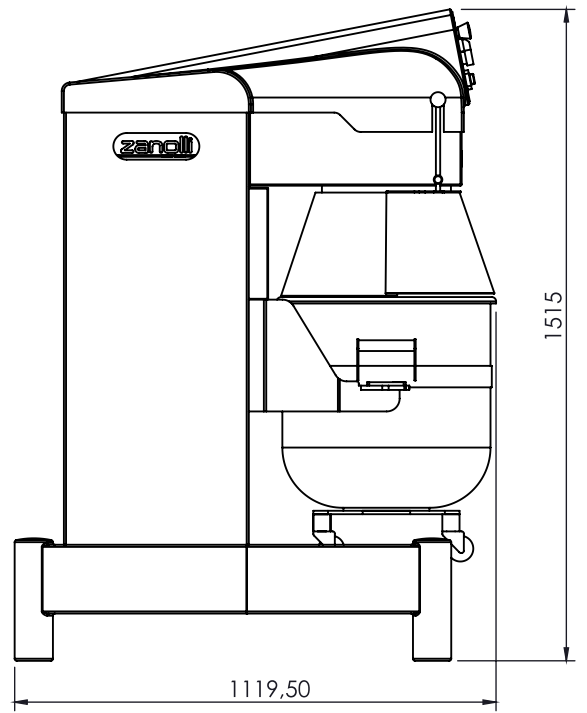
DIMENSIONS

External Width	850mm
External Depth	1120 mm
External Height	1680mm

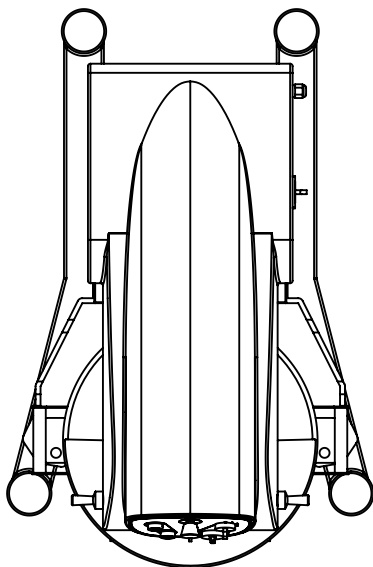
FRONT



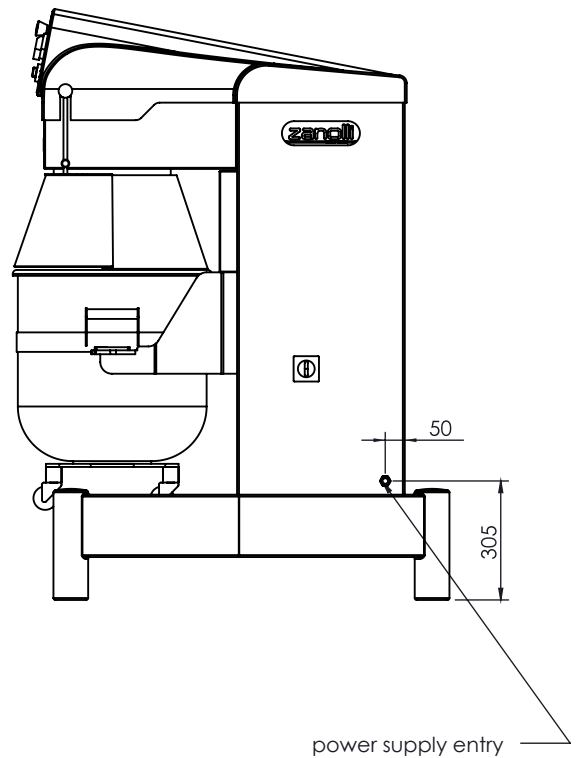
SIDE



TOP



SIDE



We reserve the right to alter specifications without notice.



THE
GOOD
LADY

Phone: 1800 183 818 Email: support@thegoodlady.com.au
Website: www.thegoodlady.com.au

PRODUCTIVITY CHART - Selene Mixers

Use of the tools	[Whisk]			[Flat beater]		[Spiral]			[Flat beater]	
Products										
Speed	MAX			MEDIUM		MINIMUM			MAX MINIMUM	
PL 80	11 lt	32 lt	24 lt	40 kg	32 kg	28 kg	23 kg	19 kg	48 kg	

TOOL GUIDE - Selene Mixers

Standard equipment						
PL 80	●	●	●		●	○

ACCESSORIES

Stainless Steel Bowl

Thin Wire Wisk

Flat Beater

Steel kneading Spiral

Thick Wire Wisk

Trolley for Bowl

Reduction Kit Bowl + Accessories Selene 80 to 40

Reduction Kit Bowl + Accessories Selene 80 to 60