

Main Features

- The control panel is positioned at the front of the machine and is provided with controls designed for ease of use
- The shafts rotate on ball bearings suitable for use under high-stress conditions
- The bowl protection guard complies with safety regulations. When lifted up, it activates a microswitch that automatically stops the machine.
- The unit rests on four rubber vibration mounts that guarantee stability and the reduction of noise levels.

Standard accessories include :

- Thin Wire Whisk
- Flat Beater
- Kneading Hook



SPECIFICATIONS

Voltage	400Vac 3 50Hz
Power	1.5kw
Speed	3 speeds - 1° 34 RPM (0.59kw) 2° 68 (1.1kw), 3° 136 (1.5kw)
Maximum Current	4.3A
Weight	210 kg
Plug Supplied	No
Bowl Lift	Manual
Bowl Capacity	40 liters
Bowl Diameter	410mm x 390mm
Humidity	Max 95%
Noise level	<70 decibel
Ambient Temp	Max 40°C
Warranty	4 Year Warranty (2 yr Labour 4 yr Parts)

OPTIONAL CONTROL -
Variable Speed Inverter - Single Phase Operation

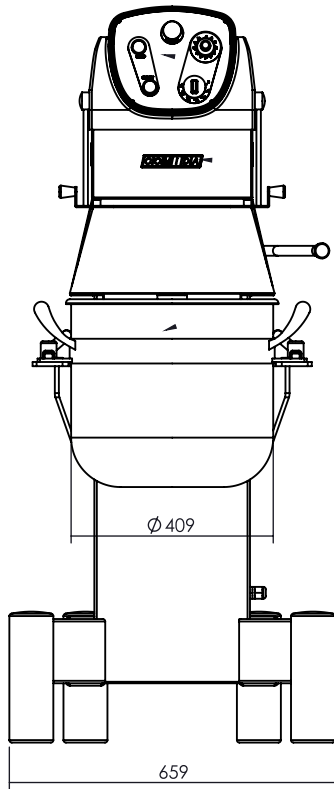
STANDARD CONTROL -
3 speeds with 3 phase Motor.



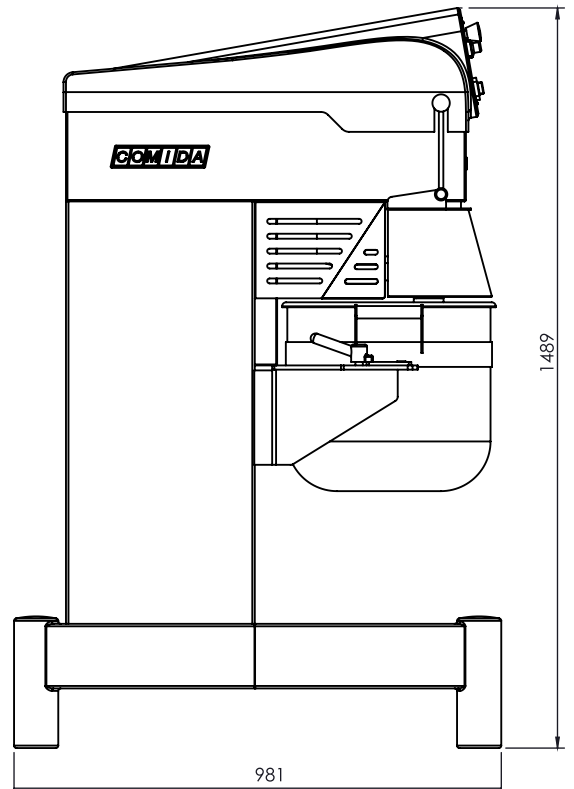
DIMENSIONS

External Width	690mm
External Depth	930mm
External Height	1480mm

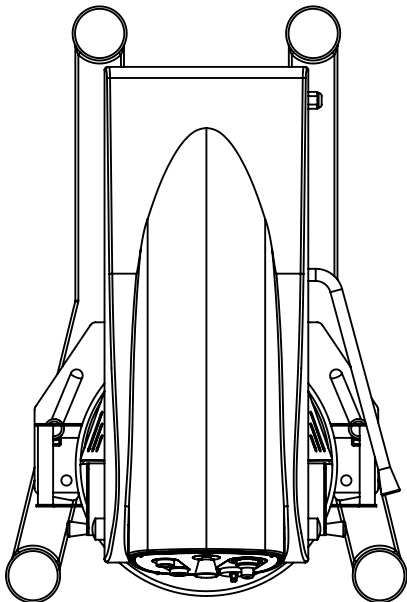
FRONT



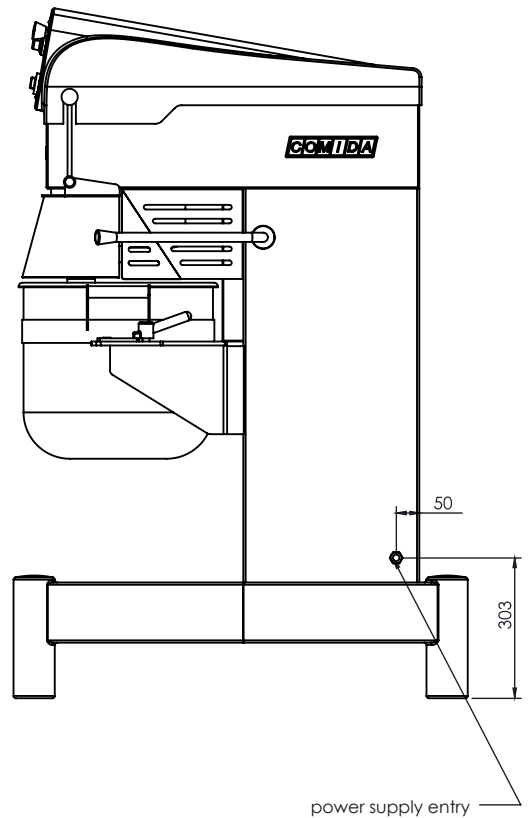
SIDE



TOP



SIDE



We reserve the right to alter specifications without notice.



Phone: 1800 183 818 Email: support@thegoodlady.com.au
Website: www.thegoodlady.com.au

PRODUCTIVITY CHART - Selene Mixers

Use of the tools	[Icon: Thin wire whisk]		[Icon: Flat beater]		[Icon: Kneading hook]			[Icon: Spiral]		[Icon: Thick wire whisk]	
	MAX		MEDIUM		MINIMUM			MINIMUM		MAX MINIMUM	
PL 40	6 lt	18 lt	14 lt	20 kg	18 kg	16 kg	13 kg	10 kg	10 kg	27 kg	

TOOL GUIDE - Selene Mixers

Standard equipment						
PL 40	●	●	●	●	○	○

ACCESSORIES

Stainless Steel Bowl

Thin Wire Wisk

Flat Beater

Kneading Hook

Steel kneading Spiral

Thick Wire Wisk

Scraper

Trolley for Bowl

Automatic Lifting System

Reduction Kit Bowl + Accessories Selene 40 to 20