

# SYNTHESIS 12/80

## ELECTRIC CONVEYOR OVEN

1SV4405B



### SPECIFICATIONS

Voltage	Trifase, 400 Vac 50-60 Hz	
	Current at 400V 3N~ 52.5 Amp	
Max Power	24900 Watts	
Weight	295 kg	
Plug Supplied	No, lead only	
Noise level	<70 Decibel	
Conveyor Width	32" (800mm)	
Conveyor Length	2100 mm	
Chamber Length	1200mm	
Chamber Height	100mm	
Cable Length	2m	
Time Range	1:45 minutes - 30 minutes(or complete halt)	
Thermostat	320°C	
Ambient Temp	0 - 40°C	
Max Humidity	95% Humidity without condensation	
Warranty	4 Year Warranty (2 yr Labour 4 yr Parts)	



### Main Features

- Made entirely from stainless steel
- Double glazed full width inspection door
- Easy access for thorough cleaning
- Cooling system for contact parts
- Omnidirectional wheels with breaks
- Conveyor belt with variable speed down to a complete halt
- 100 mm high cooking chamber
- Fine tuning of the ventilation flow
- Jets of hot air completely wrap the product as it moves along the wire mesh conveyer giving an evenly cooked result time after time
- All Synthesis ovens are stackable so you can step up your productivity to meet peak demand
- Total control of Top heating % Power and Bottom Heating % Power allowing total control.
- When you don't need to produce much you can save on energy by using just one baking module
- Management of 6 cooking programs: for each program you can set the cooking time, temperature and min/max adjustments to the power % of top / bottom Elements.
- Economy function keeps the oven at a lower temperature if it doesn't need to be operated at full working temperature
- Timer for programmed start, digital clock and self diagnostics

### DIMENTIONS

External Width	2180mm	Internal Width	1200mm
External Depth	1650mm	Internal Depth	800mm
External Height	600mm	Internal Height	100mm

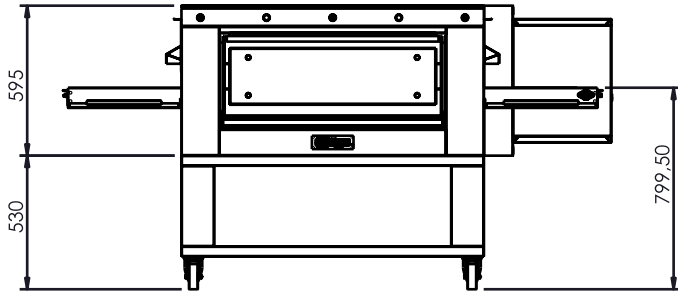


Phone: 1800 183 818 Email: support@thegoodlady.com.au  
 Website: www.thegoodlady.com.au

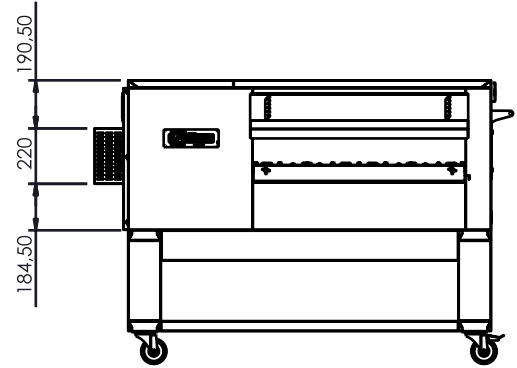
# SYNTHESIS 12/80 SINGLE STACK CONVEYOR



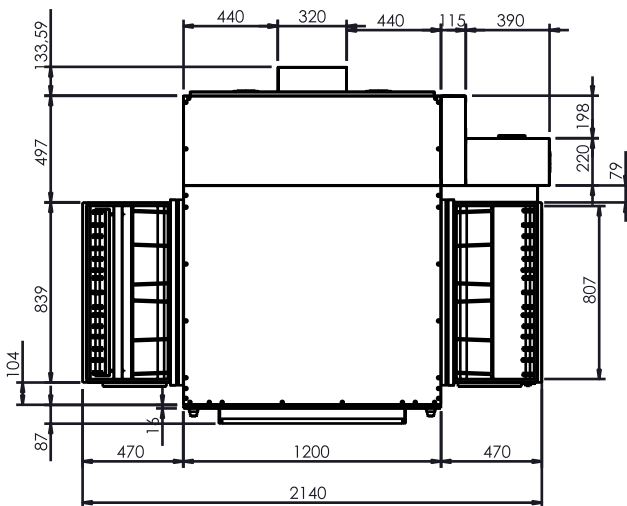
## FRONT



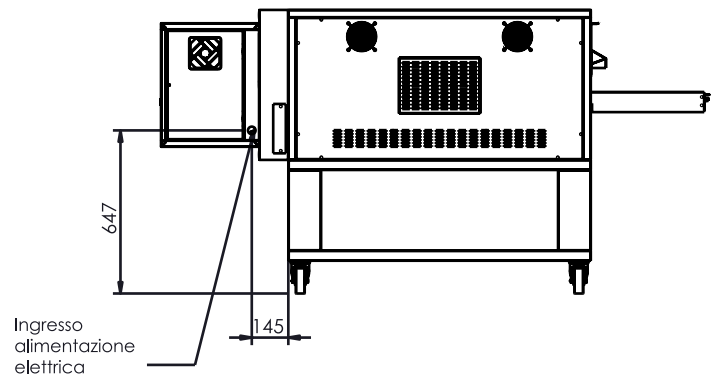
## SIDE



## TOP



## REAR



We reserve the right to alter specifications without notice.

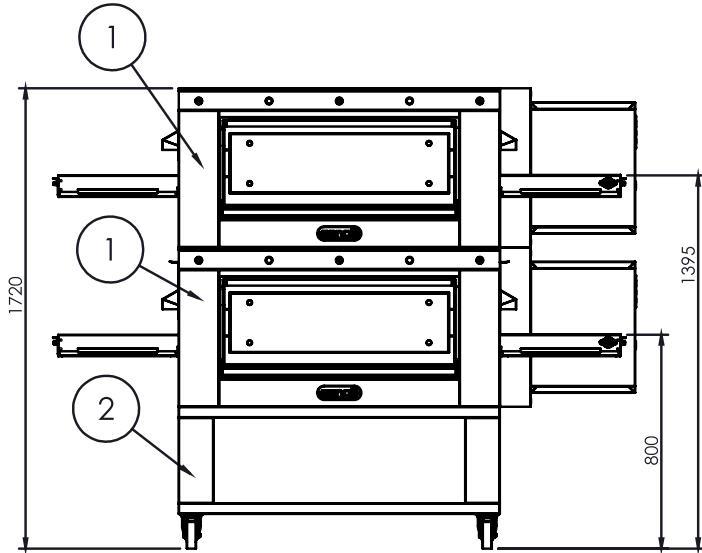


Phone: 1800 183 818 Email: [support@thegoodlady.com.au](mailto:support@thegoodlady.com.au)  
Website: [www.thegoodlady.com.au](http://www.thegoodlady.com.au)

# SYNTHESIS 12/80 DOUBLE STACK CONVEYOR

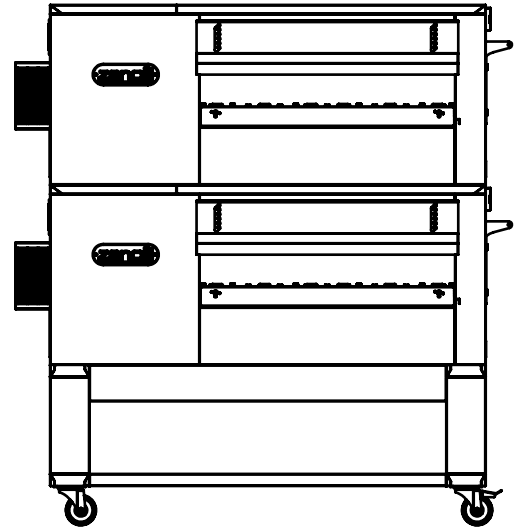


## FRONT

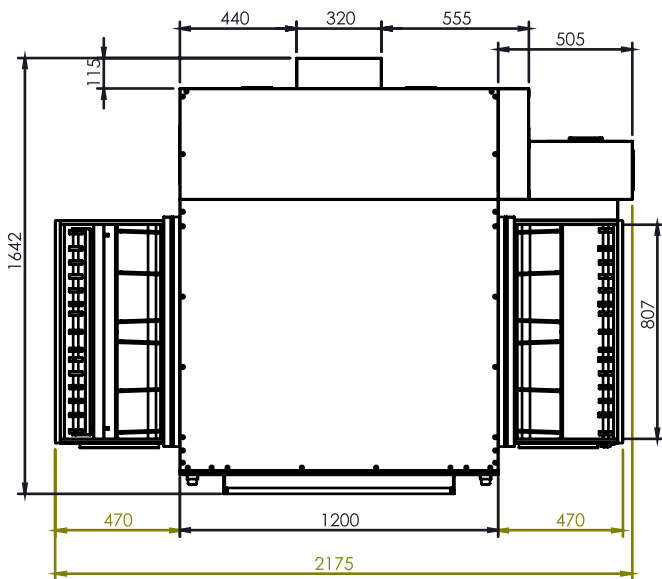


Num. articolo	Quantità	Descrizione	Peso
1	2	2SV4407	283422.35
2	1	OSV2A12	41895.06

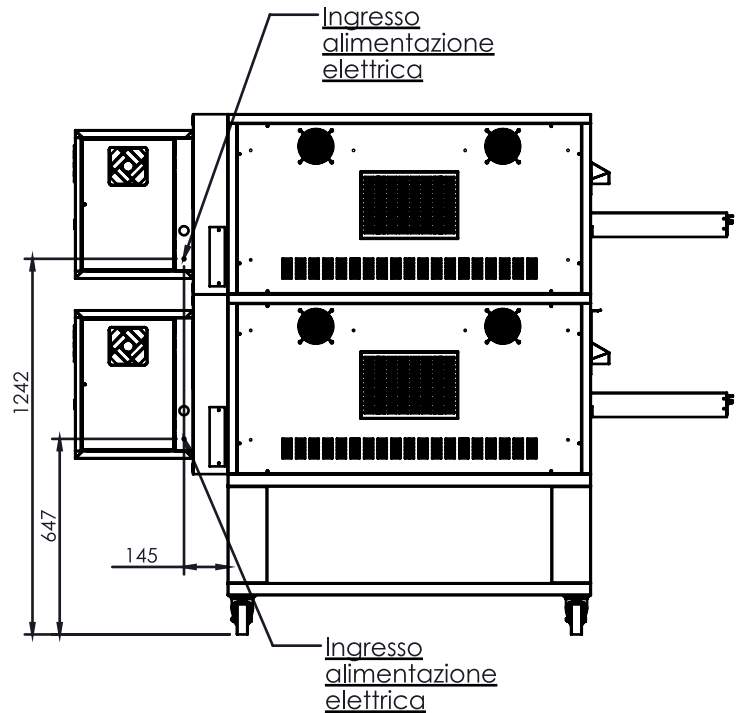
## SIDE



## TOP



## REAR



We reserve the right to alter specifications without notice.



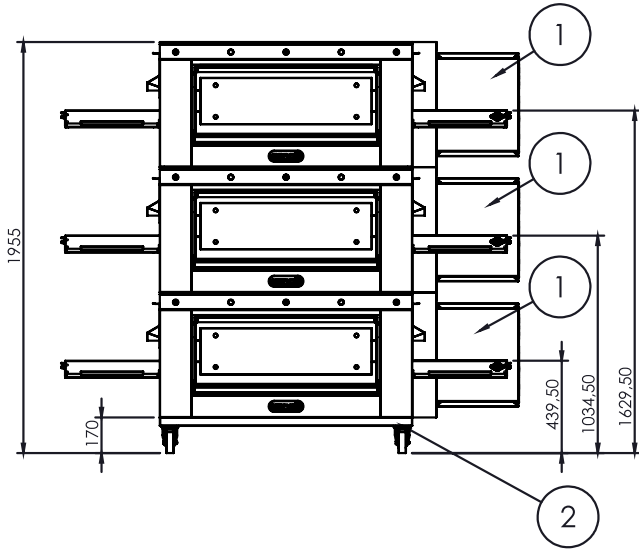
THE  
GOOD  
LADY

Phone: 1800 183 818 Email: support@thegoodlady.com.au  
Website: www.thegoodlady.com.au

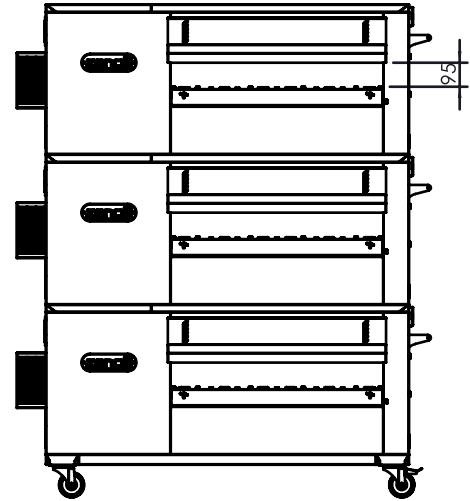
# SYNTHESIS 12/80 TRIPLE STACK CONVEYOR



## FRONT

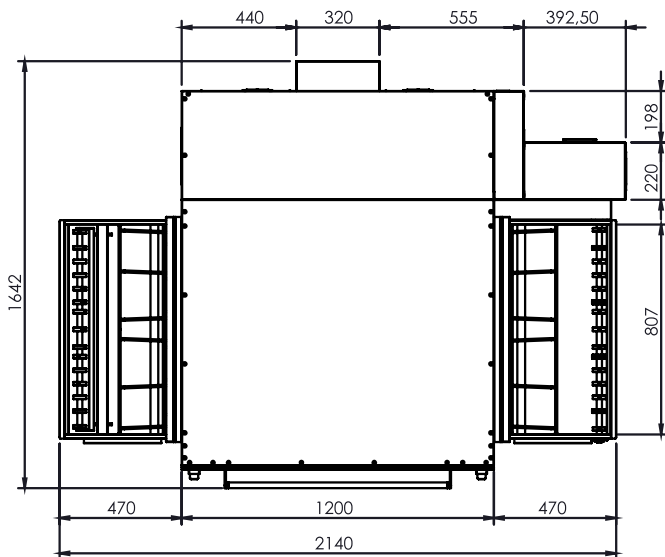


## SIDE

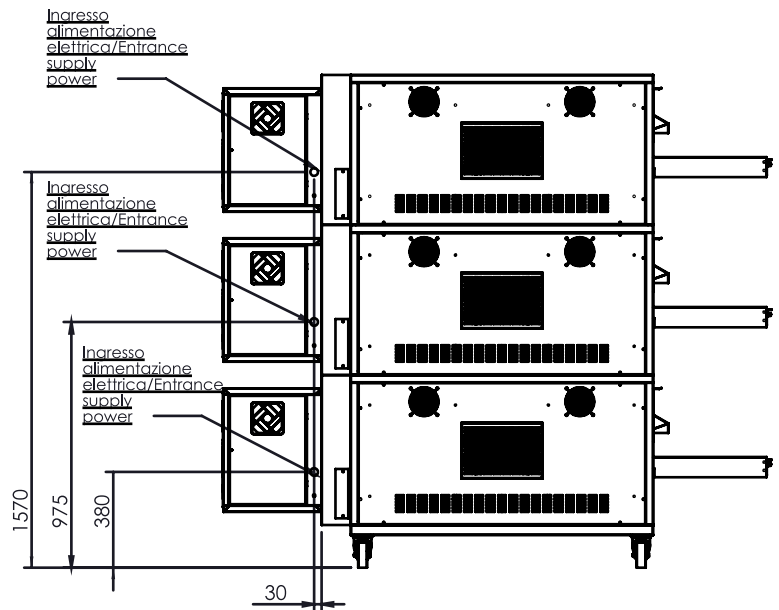


Num. articolo	Quantity	Description	Pot. EL/Power EL
1	3C2	2SV4407	24KW X3
2	1	0SV2A12	-

## TOP



## REAR



We reserve the right to alter specifications without notice.



THE GOOD LADY

Phone: 1800 183 818 Email: support@thegoodlady.com.au  
 Website: www.thegoodlady.com.au