

# ROTOR WIND 3GF

15/18 TRAY GAS ROTATING BAKING OVEN (FRONT BURNER OPERATION)

6RW0500



## Main Features

The heat exchanger is constructed in special stainless steel and enables a very high output with significant energy saving.

- 15/18 Tray Capacity (400 x 600)
- High Production
- Steam Exhaust Fan
- Front surface and Baking Chamber
- Completely in Stainless steel.
- Extractable trolley for which makes it easier to use
- Electromechanical Control Panel which enables the control of:
  - (a) Burner ignition and Temperature Control
  - (b) Ventilation
  - (c) Rack Rotation
  - (d) Supply of Steam
  - (e) Baking Timers
  - (f) shut down/start ups
  - (f) Lighting control
- New steam generator embraced in the ventilation area ensures steam is spread inside the chamber in a very homogenous way through the ventilation system.
- Easy to access Front Burner Operation.
- Available for use in NAT GAS, ULPG and Diesel



## SPECIFICATIONS

|               |  |
|---------------|--|
| Voltage       | 240 V                                    |
| Power         | 1 kw                                     |
| Gas (Mj/Hr)   | 122                                      |
| Weight        | 650 kg                                   |
| Plug Supplied | No                                       |
| Capacity      | 15/18 Trays x (400 x 600)                |
| Thermostat    | 300°C                                    |
| Baking Volume | 3.6 m <sup>2</sup> - 4.3 m <sup>2</sup>  |
| Warranty      | 4 Year Warranty (2 yr Labour 4 yr Parts) |

## ACCESSORIES

- Burner Type Configuration, ULPG, NAT or Diesel
- Trolleys 15 tray x (400 x 600)
- Trolleys 18 tray x (400 x 600)
- Turn Table Rotation Option as opposed to Standard Hooking system
- Computerized Panel
- Variable Speed System for Exhaust

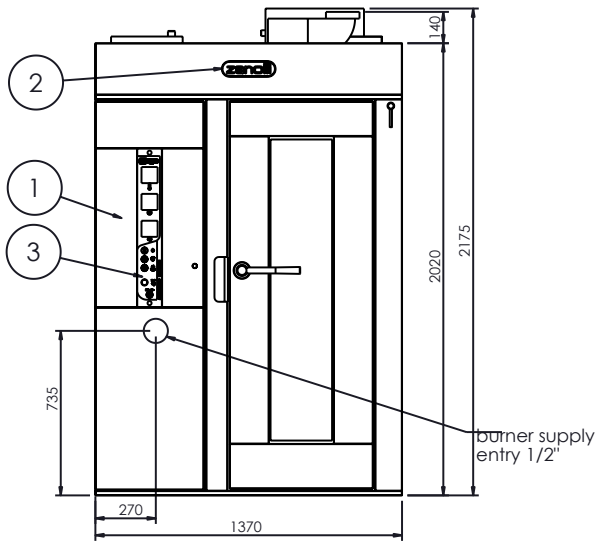
## DIMENSIONS

- External Width 1370mm
- External Depth 1350mm
- External Height 2360mm



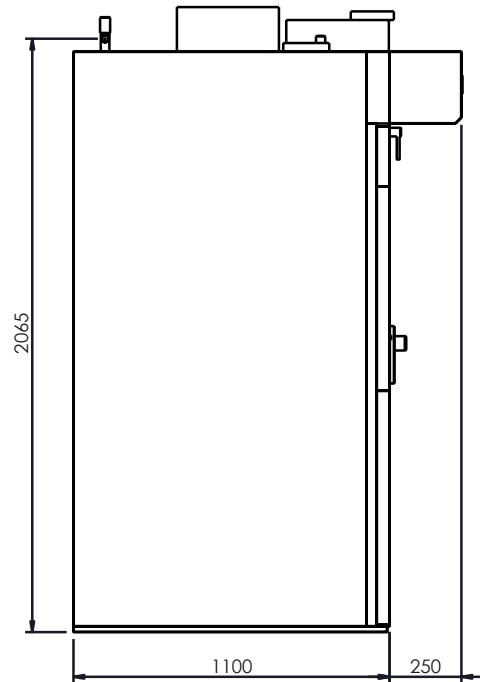
Phone: 1800 183 818 Email: support@thegoodlady.com.au  
Website: www.thegoodlady.com.au

# FRONT

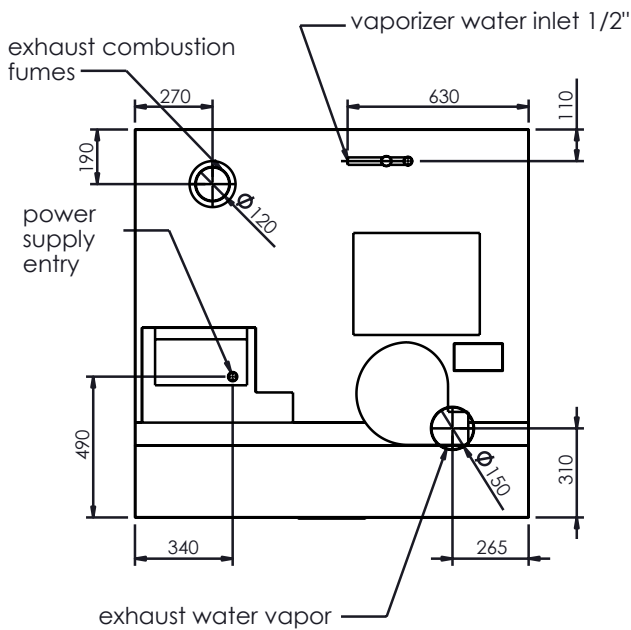


| Num. articolo | Quantità | Descrizione     |
|---------------|----------|-----------------|
| 11            |          | ROTOR WIND 3G F |
| 21            |          | PANN0370        |
| 31            |          | PANN0560        |

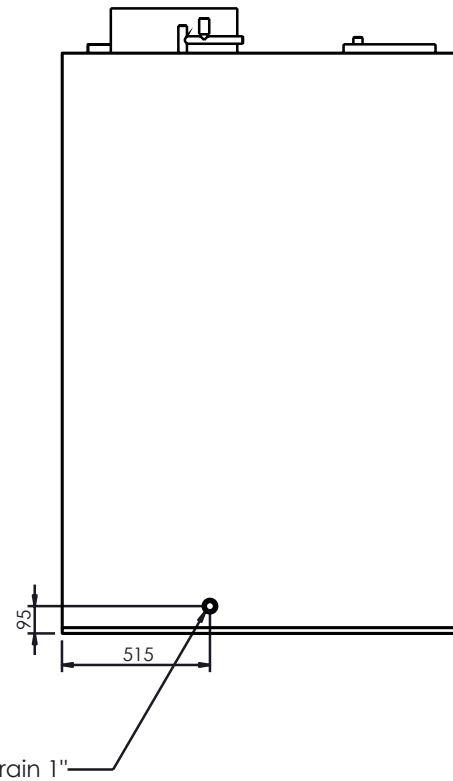
# SIDE



# TOP



# REAR



We reserve the right to alter specifications without notice.



**THE  
GOOD  
LADY**

Phone: 1800 183 818 Email: support@thegoodlady.com.au  
Website: www.thegoodlady.com.au