

TEOREMA POLIS PW 4 / MC30

2P02H07B



Main Features

- Versatile - Totally Modular and ready to Create, from Pastry making to baking and pizza production!
- 4 tray 600x400mm bakery deck oven with embossed metal baking surface allows the air circulation under the pan,
- 300mm baking chamber opening
- Reaches quickly the set temperature and responds quickly to oven temperature and power settings
- Optional baking surface (bottom) in refractory material Suitable for cooking in pans or directly on the bottom. Stack up to 4 modules so that your oven can grow with your business
- Optional Steam generator can be fitted an any stage to produce High Quality steam.
- Wide range of optional extras available to suit your baking needs
- Control Panel - 20 cooking programs with the possibility to set the cooking time and temperature, top and floor power levels (separately) and vaporisation level (optional).
- The color display and buzzer signal the user when cooking has finished.
- All the programmes can be named for quick and easy control during work.
- There are three functions that are always available to the user:
 - (1) PRE-HEATING, useful for preheating the oven;
 - (2) AUTO-CLEANING, necessary for sanitizing the cooking chamber after long periods of non-use;
 - (3) ECONOMY function - The Economy mode is activated via the control panel and is used to hold the oven temperature while reducing energy power requirements and consumption.
- The control panel also allows you to program the oven to start up twice a day and over the entire week so that you can always have your Teorema Polis PW ready to use.

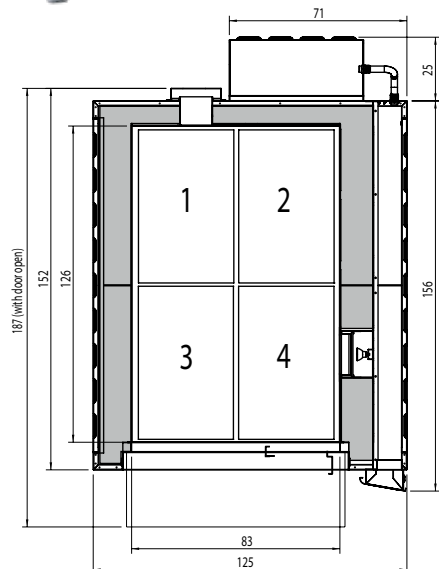


AVAILABLE ACCESSORIES

- 2.8 Kw Steam generator
- Baking surface in refractory material
- Prover 95cm (suits up to 2 units)
- Prover 71cm (suits up to 3 units)
- Stand 125cm (single unit stand)
- Stand 95cm (double unit stand)
- Stand 71cm (triple unit stand)
- Stand 40cm (quadruple unit stand)
- Exhaust Hood
- 40cm single bread batch frame
- 60cm single bread batch frame
- Pan holding trolley for base

SPECIFICATIONS

Voltage	400Vac 3N 50/60Hz - 17.4Amps
Max Power	10,000 Watts
Weight	230 kg
Working Temp.	400°C
Max Humidity	95% without condensation
Capacity	4 x 600x400mm Baking Trays
Chamber Height	300 mm
Cable Length	2 meters
Warranty	4 Year Warranty (2 yr Labour 4 yr Parts)



DIMENSIONS

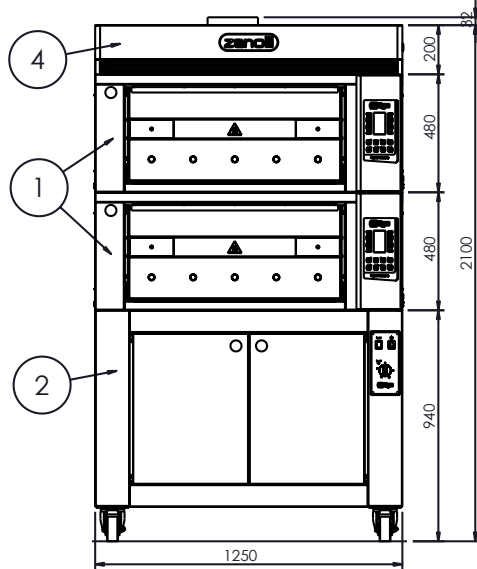
External Width	1250mm	Internal Width	830mm
External Depth	1610mm	Internal Depth	1260mm
External Height	480mm	Internal Height	300mm



Phone: 1800 183 818 Email: support@thegoodlady.com.au
 Website: www.thegoodlady.com.au

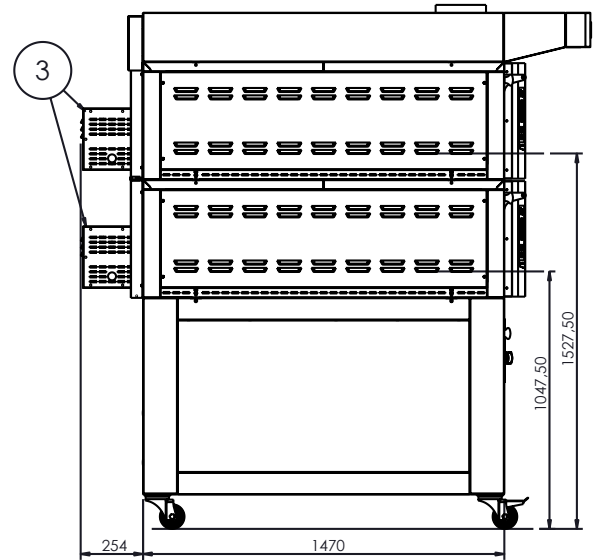
TEOREMA POLIS PW 4 / MC30

FRONT



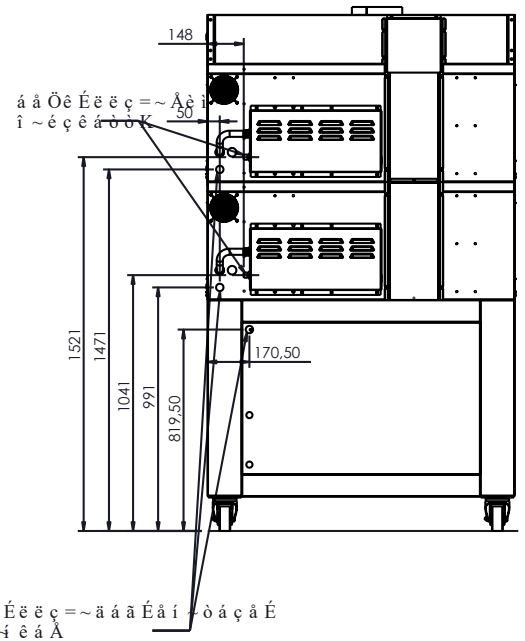
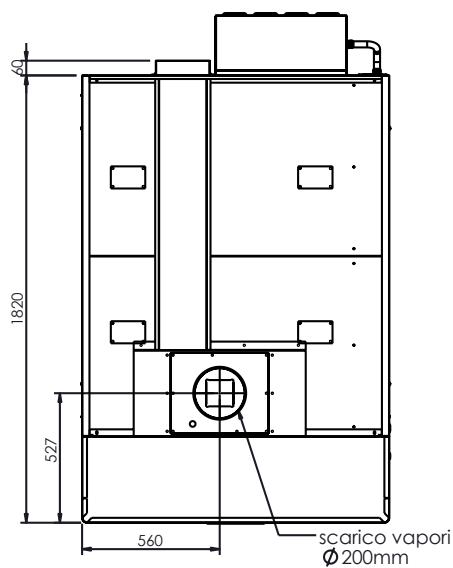
Num. articolo	Quantità	Descrizione	Potenza
12		T POLIS PW 4 UT30	20 kW
21		CELLA LIEVIT.	1.5 kW
32		VAPORIZZATORE	5.6 kW
41		TOP	-

SIDE



REAR

TOP

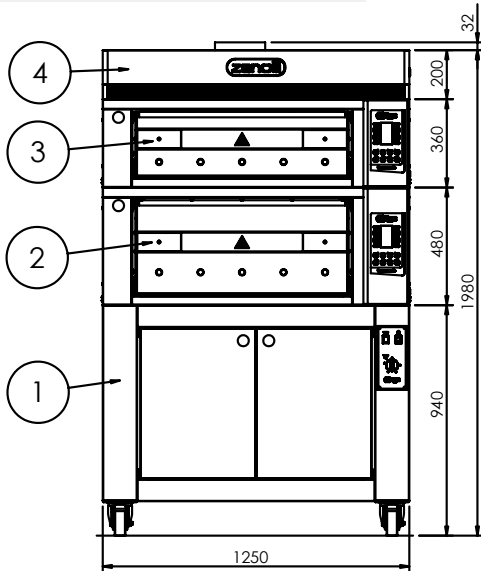


THE
GOOD
LADY

Phone: 1800 183 818 Email: support@thegoodlady.com.au
Website: www.thegoodlady.com.au

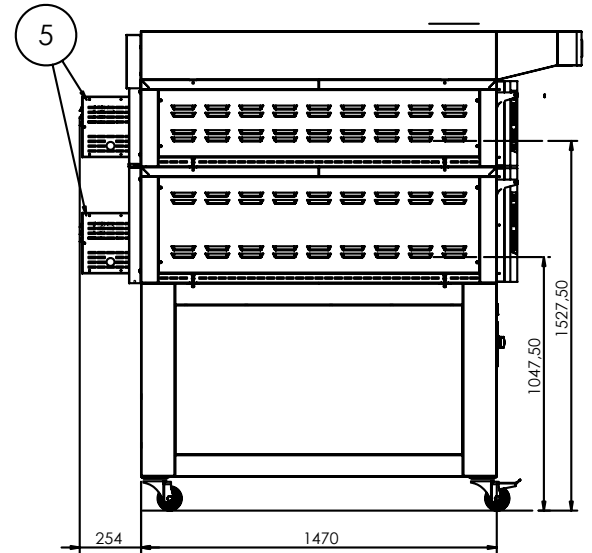
TEOREMA POLIS PW 4 /MC30/MC18

FRONT

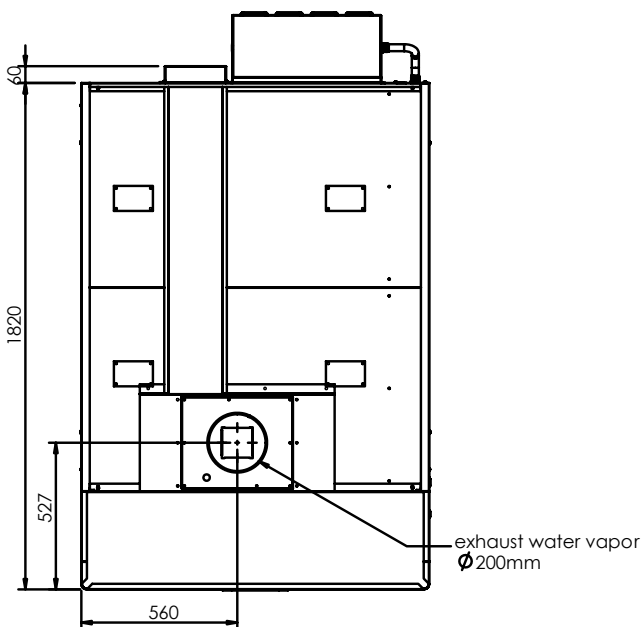


Num. articolo / Item num.	Quantità / Quantity	Descrizione / Description	Potenza / Power
11		CELLA LIEVIT./ PROOFING CABINET	1.5 kW
21		T POLIS PW 4 UT30	10 kW
31		T POLIS PW 4 UT18	10 kW
41		TOP	-
52		VAPORIZZATORE/ VAPORIZER	5.6 kW

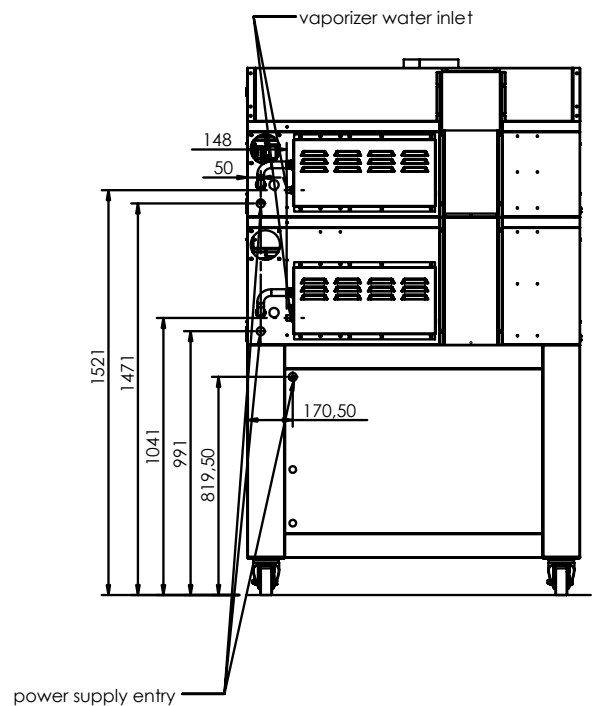
SIDE



TOP

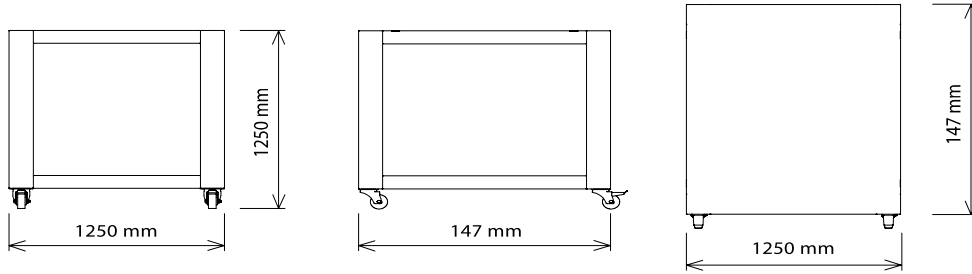


REAR

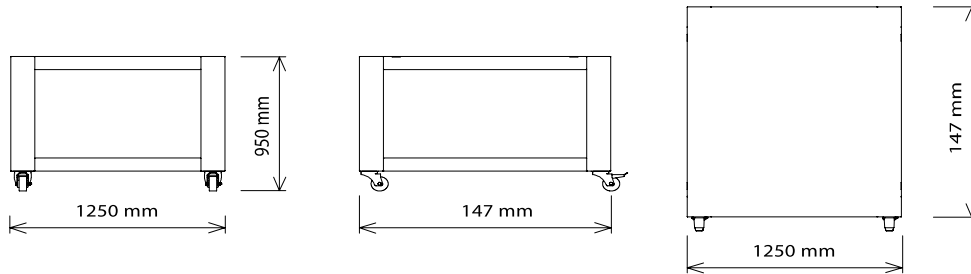


TEOREMA POLIS PW 4 - ACCESSORIES

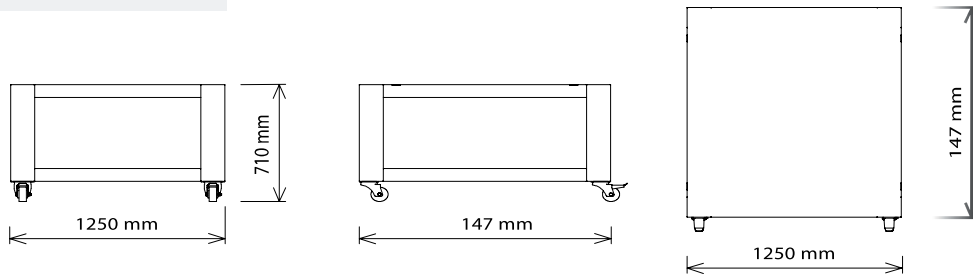
SINGLE UNIT STAND



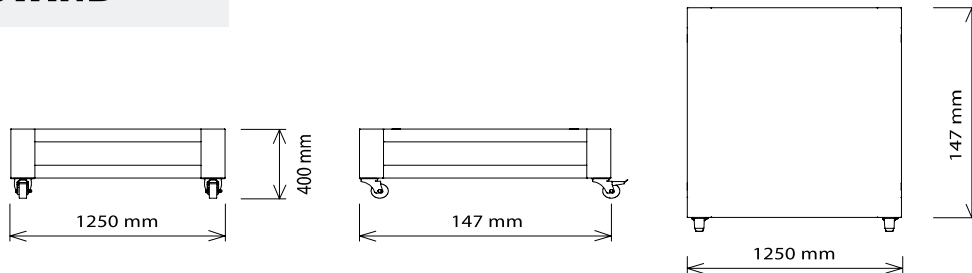
DOUBLE UNIT STAND



TRIPLE UNIT STAND



FOUR UNIT STAND



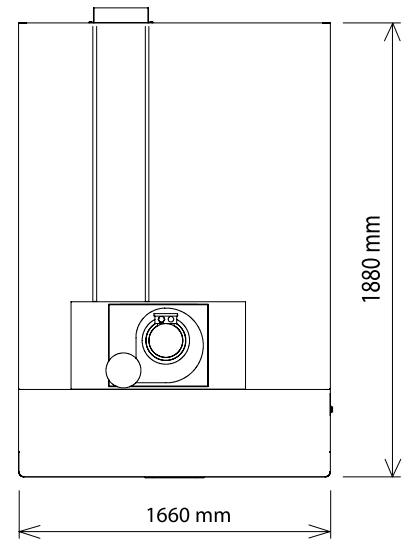
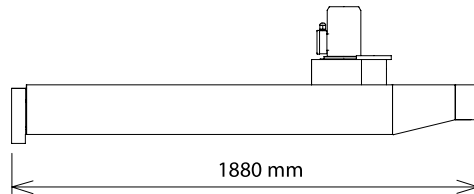
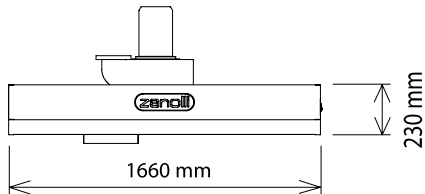
We reserve the right to alter specifications without notice.



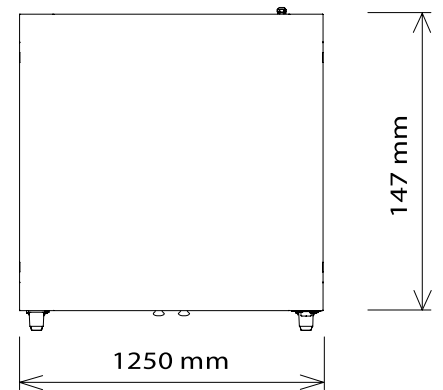
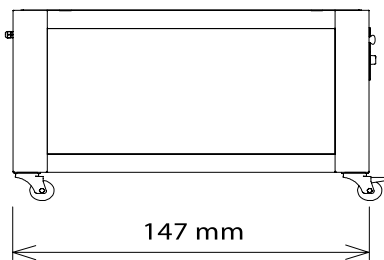
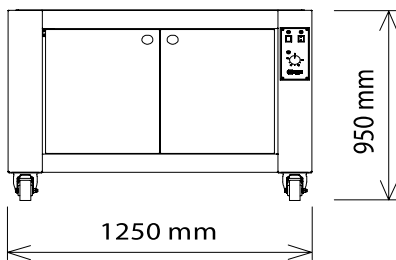
Phone: 1800 183 818 Email: support@thegoodlady.com.au
Website: www.thegoodlady.com.au

TEOREMA POLIS PW 4 - ACCESSORIES

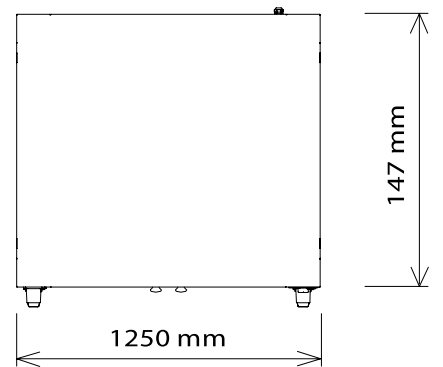
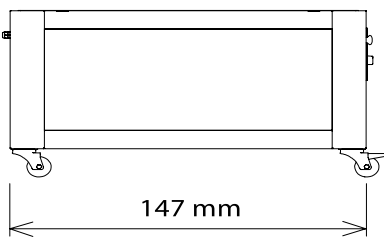
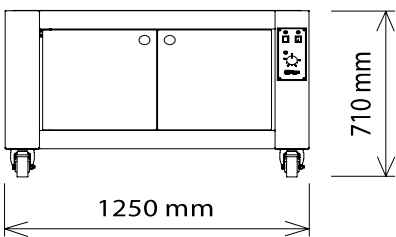
EXHAUST HOOD



95 CM PROVER (SUITS UP TO 2 UNITS)



71 CM PROVER (SUITS UP TO 3 UNITS)



We reserve the right to alter specifications without notice.