

DEVIL 33 - PIZZA FORMING MACHINES

4FD3302

zanolli
1952 · ITALY

Main Features

- Stainless steel construction
- Heated elements
- Non-stick cast iron plates with thick chrome plating to prevent sticking
- Top and bottom thermostats
- Timer to regulate compression time
- Plate size: 33 cm / 13 inch diameter
- Press up to 400 per hour

SPECIFICATIONS

Voltage	400 volts, 3N 50Hz ,8.2 Amps
Power	3600 Watts
Power Breakdown -	
Heating Element Power	2 x 1500watts
Motor Power	600 watts
Plug Supplied	No, lead only
Cable Length	2m
Weight	97 kg
Dough Weight	100g - 270g
Upper/lower plate	330mm
Noise level	<70 decibel
Ambient Temp	0-40°C
Max humidity	95% without condensation
Warranty	4 Year Warranty (2 yr Labour 4 yr Parts)



DIMENSIONS

External Width	420mm
External Depth	560mm
External Height	775mm
Plate Size	Ø 330



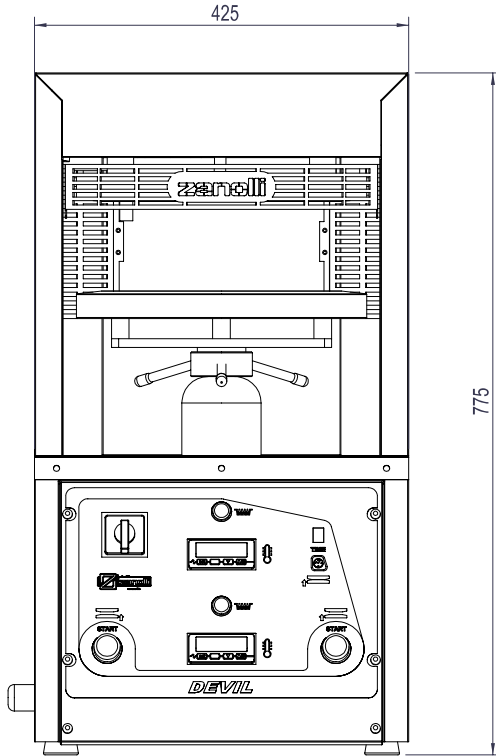
THE
GOOD
LADY

Phone: 1800 183 818 Email: support@thegoodlady.com.au
Website: www.thegoodlady.com.au

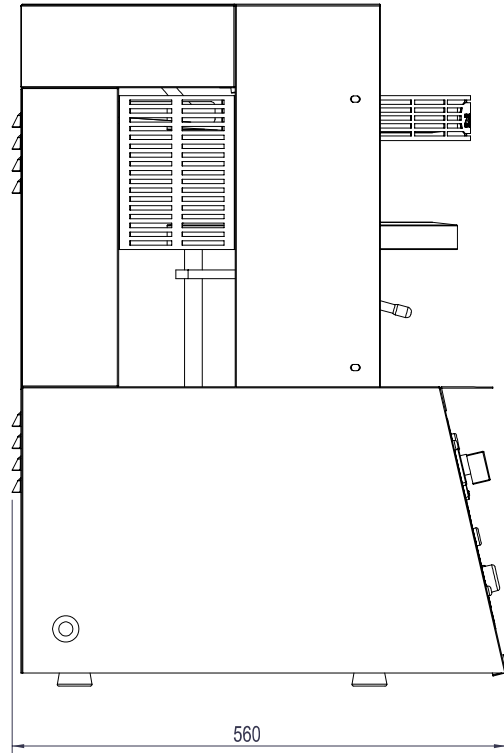
DEVIL 33

4FD3302

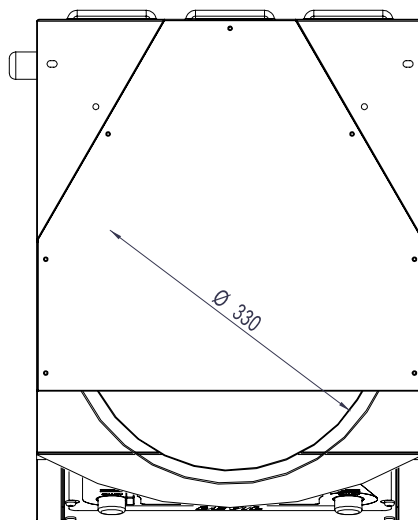
FRONT



SIDE



TOP



We reserve the right to alter specifications without notice.